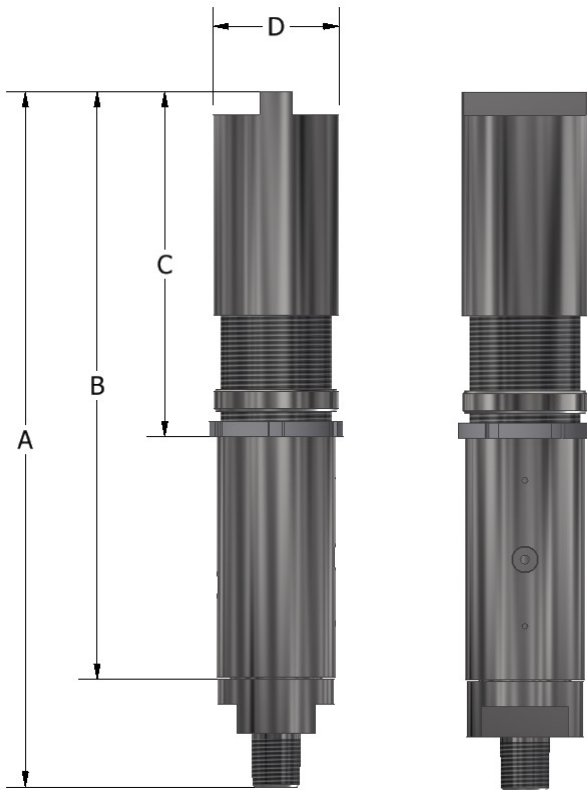




OPERATION

The Ruelco SS-H High Pressure Hydraulic pressure switch is a 2-way bleed only valve that is operated by pressure acting on a piston opposing an adjustable spring force. The High switch will function as a normally closed valve, which will vent the instrument signal when the process pressure reaches the set point. The valve will then reset after the process pressure has dropped below the deadband range of the pressure switch.



FEATURES

- 316 stainless steel construction (models to N.A.C.E MR0175 available)
- Standard base range 10-10,000 psi (with 1/4" piston option)
- Operating pressure range from .5 to 20,000 psi
- Up to 6,000 psi instrument signal
- Holds constant and accurate set points
- Designed for 3% plus or minus repeatability on set points
- Minimum deadband between trip and reset pressure
- Spring may be replaced with instrument and sensing pressure present in the sensor

DIMENSIONS

| | |
|-----------------------------|-------------------|
| A (MAXIMUM) | 12.08" (306.8 mm) |
| B (MAXIMUM) | 10.26" (260.6 mm) |
| C (MAXIMUM) | 6.13" (155.7 mm) |
| D | 2.12" (53.8 mm) |
| PANEL MOUNT HOLE | 1.875" (48 mm) |
| INSTRUMENT CONNECTION PORTS | 1/4" FNPT |

HYDRAULIC PRESSURE SWITCH—HIGH SET

PHONE: 504-340-0055
FAX: 504-340-0056
EMAIL: SALES@RUELCO.COM

1209 DISTRIBUTORS ROW
NEW ORLEANS, LA 70123



Proudly Distributed By

TRIDENT AUSTRALIA
FLUID SYSTEMS & COMPONENTS

PARTS LIST

| ITEM | QUANTITY | DESCRIPTION | MATERIAL |
|------|----------|-------------------------------|---------------------|
| 1 | 1 | SPRING CAP | 316 ST. STL. |
| 2 | 1 | SPRING | ASTM-401 OR INCONEL |
| 3 | 1 | PARTS TUBE | ACETATE BUTYRATE |
| 4 | 1 | LOCK RING | 316 ST. STL. |
| 5 | 1 | PANEL MOUNTING NUT (OPTIONAL) | CF-8M ST. STL. |
| 6 | 1 | SPRING PLATE | 316 ST. STL. |
| 7 | 1 | SPOOL | 17-4 PH ST. STL. |
| 8* | 2 | OUTER SPOOL SEALS | NITRILE |
| 9* | 1 | CENTER SPOOL SEAL | URETHANE |
| 10 | 1 | TOP SLEEVE | 17-4 PH ST. STL. |
| 11* | 2 | TOP SLEEVE SEALS | NITRILE |
| 12 | 1 | BOTTOM SLEEVE | 316 ST. STL. |
| 13* | 2 | BOTTOM SLEEVE SEALS | NITRILE |
| 14 | 1 | BODY | 316 ST. STL. |
| 15* | 1 | PISTON SEAL | FLUOROCARBON |

* INDICATES ITEMS IN THE REPAIR KIT

SPECIFICATIONS

| | |
|---------------------------------------|--------------------------------|
| VALVE TYPE | 2 WAY |
| SET POINT DEVIATION | +/- 3% |
| DEADBAND | 10% OF RANGE |
| MAXIMUM HYDRAULIC INSTRUMENT PRESSURE | 6,000 PSI (414 BAR) |
| Cv FACTOR | .12 |
| AMBIENT TEMPERATURE RANGE | -20 TO 250° F -29 TO 122° C |

REPAIR KIT

- 4H-005-0B0 (FOR STANDARD #1,#2,#3 BASE)

OTHER TEMPERATURE RANGES AND SEAL COMPOUNDS AVAILABLE UPON REQUEST

ORDERING CODE

BODY CODE: 4HH2

PHONE: 504-340-0055
FAX: 504-340-0056
EMAIL: SALES@RUELCO.COM

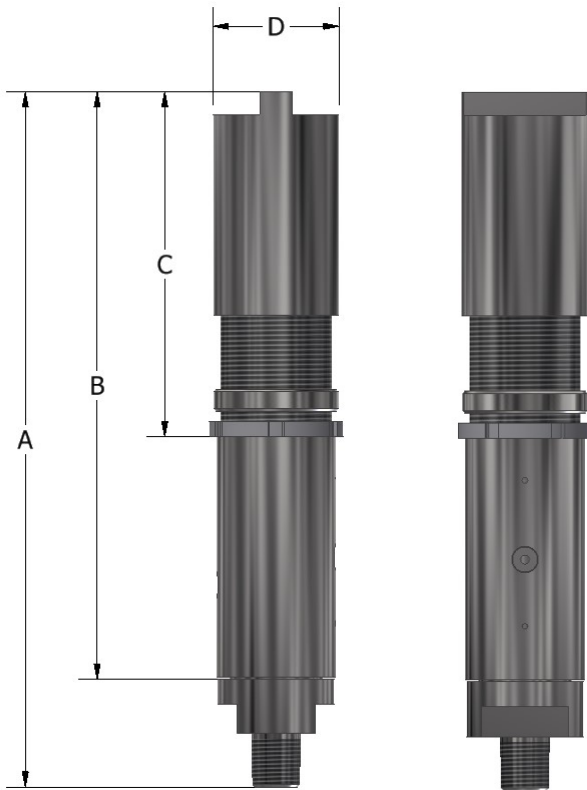
1209 DISTRIBUTORS ROW
NEW ORLEANS, LA 70123

HYDRAULIC PRESSURE SWITCH—HIGH SET



OPERATION

The Ruelco SS-H High Pressure Hydraulic pressure switch is a 2-way bleed only valve that is operated by pressure acting on a piston opposing an adjustable spring force. The Low switch will function as a normally closed valve, which will vent the instrument signal when the process pressure drops below the set point. The valve will then reset after the process pressure has risen above the deadband range of the pressure switch.



FEATURES

- 316 stainless steel construction (models to N.A.C.E MR0175 available)
- Standard base range 10-10,000 psi (with 1/4" piston option)
- Operating pressure range from .5 to 20,000 psi
- Up to 6,000 psi instrument signal
- Holds constant and accurate set points
- Designed for 3% plus or minus repeatability on set points
- Minimum deadband between trip and reset pressure
- Spring may be replaced with instrument and sensing pressure present in the sensor

HYDRAULIC PRESSURE SWITCH—LOW SET

DIMENSIONS

| | |
|-----------------------------|-------------------|
| A (MAXIMUM) | 12.08" (306.8 mm) |
| B (MAXIMUM) | 10.26" (260.6 mm) |
| C (MAXIMUM) | 6.13" (155.7 mm) |
| D | 2.12" (53.8 mm) |
| PANEL MOUNT HOLE | 1.875" (48 mm) |
| INSTRUMENT CONNECTION PORTS | 1/4" FNPT |

PHONE: 504-340-0055
FAX: 504-340-0056
EMAIL: SALES@RUELCO.COM

1209 DISTRIBUTORS ROW
NEW ORLEANS, LA 70123



Proudly Distributed By

TRIDENT AUSTRALIA
FLUID SYSTEMS & COMPONENTS

PARTS LIST

| ITEM | QUANTITY | DESCRIPTION | MATERIAL |
|------|----------|-------------------------------|---------------------|
| 1 | 1 | SPRING CAP | 316 ST. STL. |
| 2 | 1 | SPRING | ASTM-401 OR INCONEL |
| 3 | 1 | PARTS TUBE | ACETATE BUTYRATE |
| 4 | 1 | LOCK RING | 316 ST. STL. |
| 5 | 1 | PANEL MOUNTING NUT (OPTIONAL) | CF-8M ST. STL. |
| 6 | 1 | SPRING PLATE | 316 ST. STL. |
| 7 | 1 | SPOOL | 17-4 PH ST. STL. |
| 8* | 2 | OUTER SPOOL SEALS | NITRILE |
| 9* | 1 | CENTER SPOOL SEAL | URETHANE |
| 10 | 1 | TOP SLEEVE | 17-4 PH ST. STL. |
| 11* | 2 | TOP SLEEVE SEALS | NITRILE |
| 12 | 1 | BOTTOM SLEEVE | 316 ST. STL. |
| 13* | 2 | BOTTOM SLEEVE SEALS | NITRILE |
| 14 | 1 | BODY | 316 ST. STL. |
| 15* | 1 | PISTON SEAL | FLUOROCARBON |

* INDICATES ITEMS IN THE REPAIR KIT

SPECIFICATIONS

| | |
|---------------------------------------|--------------------------------|
| VALVE TYPE | 2 WAY |
| SET POINT DEVIATION | +/- 3% |
| DEADBAND | 10% OF RANGE |
| MAXIMUM HYDRAULIC INSTRUMENT PRESSURE | 6,000 PSI (414 BAR) |
| Cv FACTOR | .12 |
| AMBIENT TEMPERATURE RANGE | -20 TO 250° F -29 TO 122° C |

REPAIR KIT

- 4H-005-0B0 (FOR STANDARD #1,#2,#3 BASE)

OTHER TEMPERATURE RANGES AND SEAL COMPOUNDS AVAILABLE UPON REQUEST

ORDERING CODE

BODY CODE: 4HL2

PHONE: 504-340-0055
FAX: 504-340-0056
EMAIL: SALES@RUELCO.COM

1209 DISTRIBUTORS ROW
NEW ORLEANS, LA 70123

HYDRAULIC PRESSURE SWITCH—LOW SET



Proudly Distributed By

TRIDENT AUSTRALIA
FLUID SYSTEMS & COMPONENTS

EXTERNAL SCALE

Any of the many Ruelco pressure switches can come with an external mounted and calibrated scale option. The scale allows the user to quickly and accurately adjust the pressure set point of the switch without the need for an additional testing or calibrating. Simply raise or lower the bottom of the lock ring to the desired pressure and adjust the cap until it meets the lock ring. The pressure switch is now set to the visible mark on the scale. The scale can be used for any field mounting or panel mounting situation.



ORDERING CODE

| | | | | |
|---------------|-----|------|----|---|
| | | 4 | XX | 3 |
| | | | | |
| SS-H HIGH SET | --- | (HH) | | |
| SS-H LOW SET | --- | (HL) | | |

EXTERNAL SCALE

PHONE: 504-340-0055
FAX: 504-340-0056
EMAIL: SALES@RUELCO.COM

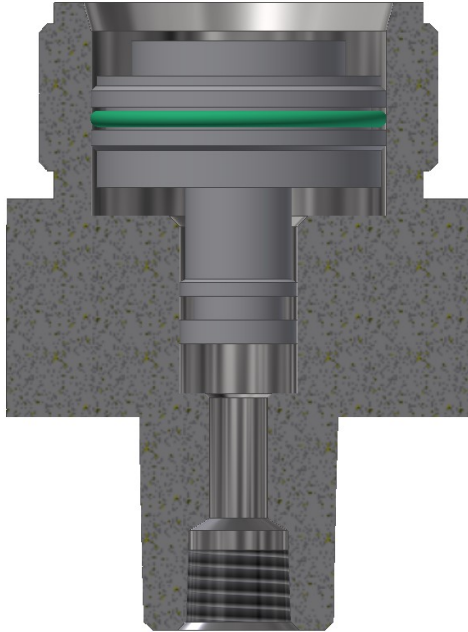
1209 DISTRIBUTORS ROW
NEW ORLEANS, LA 70123



Proudly Distributed By

TRIDENT AUSTRALIA
FLUID SYSTEMS & COMPONENTS

#1 BASE - 1-1/4" PISTON



RANGE CHART

| SPRING CODE | RANGE |
|-----------------------|------------------|
| B (BLUE) - STANDARD | 10 – 110 PSI |
| G (GREEN) - INCONEL | (.7 – 7.9 BAR) |
| R (RED) - STANDARD | 20 - 230 PSI |
| Y (YELLOW) - INCONEL | (1.4 - 15.8 BAR) |
| S (SILVER) - STANDARD | 50—450 PSI |
| P (PURPLE) - INCONEL | (3.4—31 BAR) |

MATERIAL (PISTON AND BASE)

| MATERIAL | PISTON CODE |
|-------------------|-------------|
| 316 ST. STL. | 1 |
| MONEL 400 | 6 |
| INCONEL 625 | B |
| HASTELLOY C-276 | G |
| SUPER DUPLEX 2507 | K |
| INCOLOY 825 | P |
| DUPLEX 2205 | U |
| 6 MO 254 | Y |

SPECIFICATIONS

| | |
|----------------------------|-----------------------|
| MAXIMUM OPERATION PRESSURE | 10,000 PSI (690 BAR) |
| BURST PRESSURE | 20,000 PSI (1380 BAR) |
| PROCESS CONNECTION | 1/2" MNPT |
| PROCESS CONNECTION | 1/4" FNPT |

ORDERING CODE

(BODY CODE) X X X 000

Standard Corrosive Service ----(-) |

N.A.C.E. Option------(N) |

SPRING RANGE CODE

PISTON MATERIAL CODE

PHONE: 504-340-0055
 FAX: 504-340-0056
 EMAIL: SALES@RUELCO.COM

1209 DISTRIBUTORS ROW
 NEW ORLEANS, LA 70123

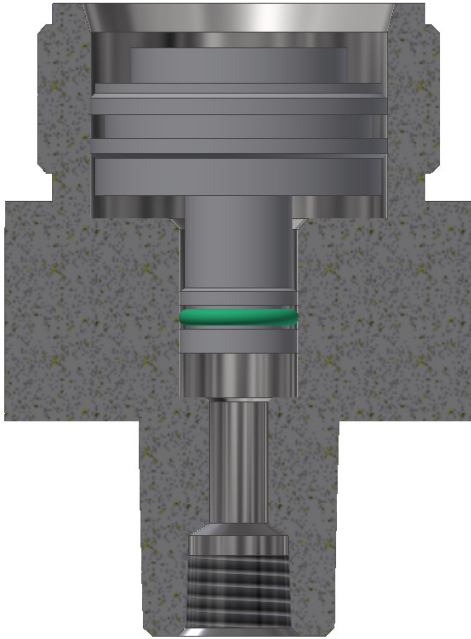
PRESSURE SWITCH BASE



Proudly Distributed By

TRIDENT AUSTRALIA
FLUID SYSTEMS & COMPONENTS

#2 BASE - 1/2" PISTON



RANGE CHART

| SPRING CODE | RANGE |
|-----------------------|-------------------|
| B (BLUE) - STANDARD | 200 – 750 PSI |
| G (GREEN) - INCONEL | (13.8 – 51.8 BAR) |
| R (RED) - STANDARD | 500 - 1,500 PSI |
| Y (YELLOW) - INCONEL | (34.5- 103.5 BAR) |
| S (SILVER) - STANDARD | 1,000—3,000 PSI |
| P (PURPLE) - INCONEL | (69—207 BAR) |

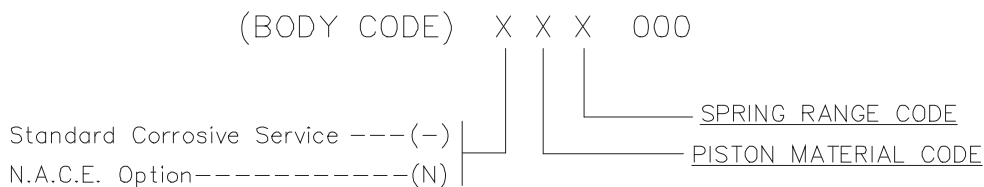
SPECIFICATIONS

| | |
|----------------------------|-----------------------|
| MAXIMUM OPERATION PRESSURE | 10,000 PSI (690 BAR) |
| BURST PRESSURE | 20,000 PSI (1380 BAR) |
| PROCESS CONNECTION | 1/2" MNPT |
| PROCESS CONNECTION | 1/4" FNPT |

MATERIAL (PISTON AND BASE)

| MATERIAL | PISTON CODE |
|-------------------|-------------|
| 316 ST. STL. | 2 |
| MONEL 400 | 7 |
| INCONEL 625 | C |
| HASTELLOY C-276 | H |
| SUPER DUPLEX 2507 | L |
| INCOLOY 825 | Q |
| DUPLEX 2205 | V |
| 6 MO 254 | Z |

ORDERING CODE



PHONE: 504-340-0055
FAX: 504-340-0056
EMAIL: SALES@RUELCO.COM

1209 DISTRIBUTORS ROW
NEW ORLEANS, LA 70123

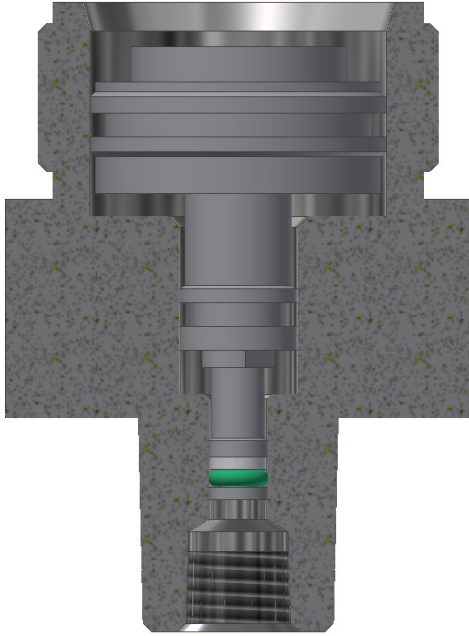
PRESSURE SWITCH BASE



Proudly Distributed By

TRIDENT AUSTRALIA
FLUID SYSTEMS & COMPONENTS

#3 BASE - 1/4" PISTON



RANGE CHART

| SPRING CODE | RANGE |
|-----------------------|--------------------|
| B (BLUE) - STANDARD | 1,000 – 3,000 PSI |
| G (GREEN) - INCONEL | (69 – 207 BAR) |
| R (RED) - STANDARD | 2,000 - 5,000 PSI |
| Y (YELLOW) - INCONEL | (138 - 345 BAR) |
| S (SILVER) - STANDARD | 5,000 - 10,000 PSI |
| P (PURPLE) - INCONEL | (345 - 690 BAR) |

SPECIFICATIONS

| | |
|----------------------------|-----------------------|
| MAXIMUM OPERATION PRESSURE | 10,000 PSI (690 BAR) |
| BURST PRESSURE | 20,000 PSI (1380 BAR) |
| PROCESS CONNECTION | 1/2" MNPT |
| PROCESS CONNECTION | 1/4" FNPT |

MATERIAL (PISTON AND BASE)

| MATERIAL | PISTON CODE |
|-------------------|-------------|
| 316 ST. STL. | 3 |
| MONEL 400 | 8 |
| INCONEL 625 | D |
| HASTELLOY C-276 | I |
| SUPER DUPLEX 2507 | M |
| INCOLOY 825 | R |
| DUPLEX 2205 | W |

PRESSURE SWITCH BASE

ORDERING CODE

(BODY CODE) X X X 000

Standard Corrosive Service ---(-) | | |
 N.A.C.E. Option------(N) | | |

SPRING RANGE CODE
 PISTON MATERIAL CODE

PHONE: 504-340-0055
FAX: 504-340-0056
EMAIL: SALES@RUELCO.COM

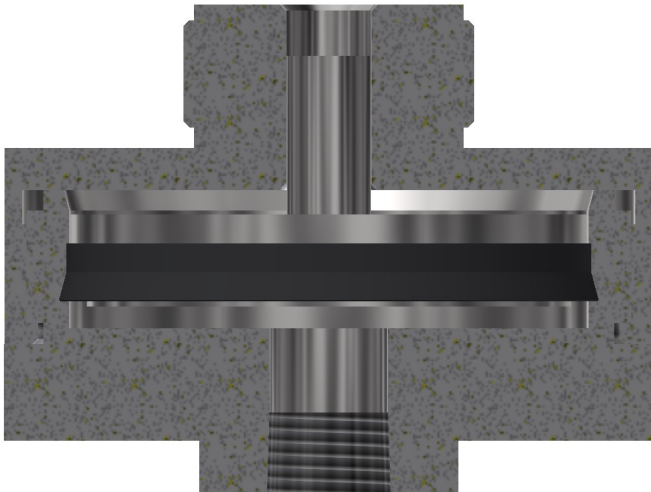
1209 DISTRIBUTORS ROW
NEW ORLEANS, LA 70123



Proudly Distributed By

TRIDENT AUSTRALIA
FLUID SYSTEMS & COMPONENTS

#0 BASE - 3" PISTON



RANGE CHART

| SPRING CODE | RANGE |
|-----------------------|-----------------|
| B (BLUE) - STANDARD | .5 - 20 PSI |
| G (GREEN) - INCONEL | (.03 - 1.4 BAR) |
| R (RED) - STANDARD | 4 - 40 PSI |
| Y (YELLOW) - INCONEL | (.3 - 2.75 BAR) |
| S (SILVER) - STANDARD | 10 - 80 PSI |
| P (PURPLE) - INCONEL | (.7 - 5.5 BAR) |

SPECIFICATIONS

| | |
|----------------------------|----------------------|
| MAXIMUM OPERATION PRESSURE | 5,000 PSI (345 BAR) |
| BURST PRESSURE | 10,000 PSI (690 BAR) |
| PROCESS CONNECTION | 1/2" FNPT |

MATERIAL (PISTON AND BASE)

| MATERIAL | PISTON CODE |
|-------------------|-------------|
| 316 ST. STL. | 0 |
| MONEL 400 | 5 |
| INCONEL 625 | A |
| HASTELLOY C-276 | F |
| SUPER DUPLEX 2507 | O |
| DUPLEX 2205 | T |

PRESSURE SWITCH BASE

ORDERING CODE

(BODY CODE) X X X 000

Standard Corrosive Service ---(-)
N.A.C.E. Option------(N)

SPRING RANGE CODE
PISTON MATERIAL CODE

PHONE: 504-340-0055
FAX: 504-340-0056
EMAIL: SALES@RUELCO.COM

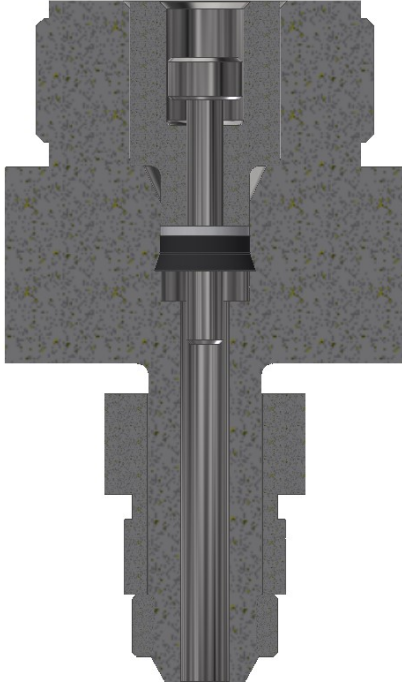
1209 DISTRIBUTORS ROW
NEW ORLEANS, LA 70123



Proudly Distributed By

TRIDENT AUSTRALIA
FLUID SYSTEMS & COMPONENTS

#4 BASE - .187" PISTON



RANGE CHART

| SPRING CODE | RANGE |
|-----------------------|--|
| B (BLUE) - STANDARD | 2,000 - 5,000 PSI (138 – 345 BAR) |
| G (GREEN) - INCONEL | |
| R (RED) - STANDARD | 3,500 - 9,000 PSI (241 - 620 BAR) |
| Y (YELLOW) - INCONEL | |
| S (SILVER) - STANDARD | 8,500 - 20,000 PSI (586 - 1380 BAR) |
| P (PURPLE) - INCONEL | |

SPECIFICATIONS

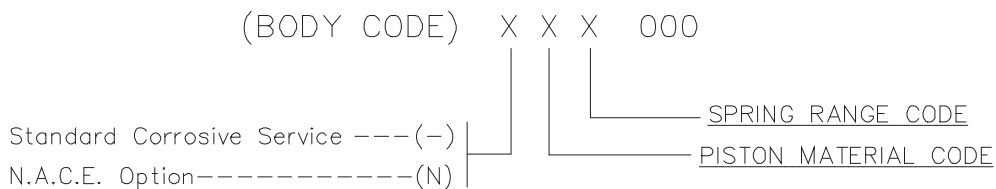
| | |
|----------------------------|-----------------------|
| MAXIMUM OPERATION PRESSURE | 20,000 PSI (1380 BAR) |
| BURST PRESSURE | 40,000 PSI (2760 BAR) |
| PROCESS CONNECTION | 9/16" MP CONE |

MATERIAL (PISTON AND BASE)

| MATERIAL | PISTON CODE |
|-------------------|-------------|
| 316 ST. STL. | 4 |
| MONEL 400 | 9 |
| INCONEL 625 | E |
| HASTELLOY C-276 | J |
| SUPER DUPLEX 2507 | N |
| DUPLEX 2205 | X |

PRESSURE SWITCH BASE

ORDERING CODE



PHONE: 504-340-0055
FAX: 504-340-0056
EMAIL: SALES@RUELCO.COM

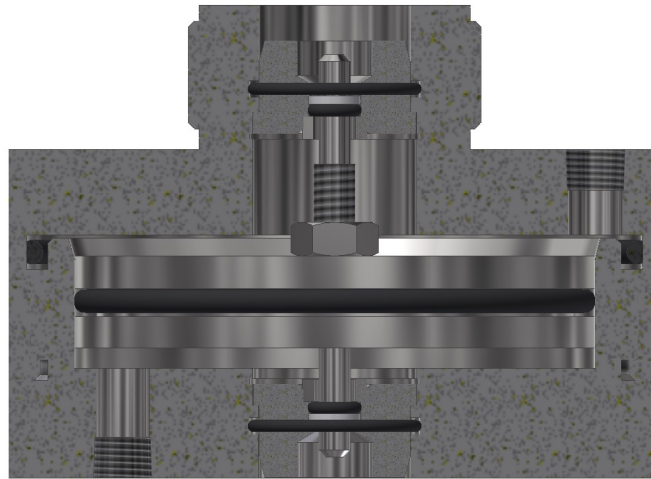
1209 DISTRIBUTORS ROW
NEW ORLEANS, LA 70123



DIFFERENTIAL - 3" PISTON

OPERATION

The Ruelco Differential Base allows any of the Ruelco pressure bodies to measure the pressure difference between the upper and lower ports. Depending on the instrument ports used, the base allows for a rising or falling pressure difference set point. Typical use would be to connect the upstream and downstream connections to the base in order to determine an undesired pressure drop or a clogged filter pressure build and to activate the safety switch.



PRESSURE SWITCH BASE

RANGE CHART

| SPRING CODE | RANGE |
|-----------------------|-----------------|
| B (BLUE) - STANDARD | .5 - 20 PSI |
| G (GREEN) - INCONEL | (.03 – 1.4 BAR) |
| R (RED) - STANDARD | 4 - 40 PSI |
| Y (YELLOW) - INCONEL | (.3 - 2.75 BAR) |
| S (SILVER) - STANDARD | 10 - 80 PSI |
| P (PURPLE) - INCONEL | (.7 - 5.5 BAR) |

SPECIFICATIONS

| | |
|-------------------------------|---------------------|
| MAXIMUM OPERATION PRESSURE | 2,000 PSI (138 BAR) |
| MAXIMUM DIFFERENTIAL PRESSURE | 1,500 PSI (103 BAR) |
| PROCESS CONNECTION | 1/8" FNPT |

PHONE: 504-340-0055
FAX: 504-340-0056
EMAIL: SALES@RUELCO.COM

1209 DISTRIBUTORS ROW
NEW ORLEANS, LA 70123



Proudly Distributed By

TRIDENT AUSTRALIA
FLUID SYSTEMS & COMPONENTS

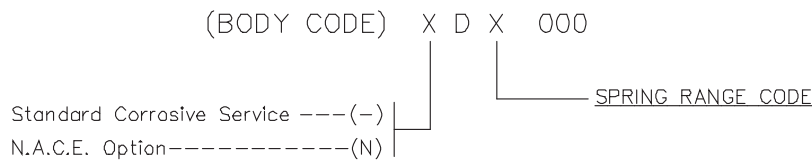
DIFFERENTIAL - 3" PISTON

PARTS LIST

| ITEM | QUANTITY | DESCRIPTION | MATERIAL |
|------|----------|--------------------|------------------|
| 1 | 1 | UPPER HOUSING | 17-4 PH ST. STL. |
| 2 | 1 | LOWER HOUSING | 17-4 PH ST. STL. |
| 3* | 1 | BODY SEAL | FLUOROCARBON |
| 4* | 1 | PISTON SEAL | FLUOROCARBON |
| 5 | 1 | PISTON | 17-4 PH ST. STL. |
| 6* | 2 | GUIDE SLEEVE SEALS | FLUOROCARBON |
| 7 | 2 | GUIDE SLEEVE | 316 ST. STL. |
| 8 | 2 | SEAL RETAINER | FLUOROCARBON |
| 9* | 2 | SPOOL SEALS | FLUOROSILICON |
| 10** | 2 | SPOOL SEAL BACKUP | TEFLON |
| 11 | 2 | RETAINER RING | 316 ST. STL. |
| 12 | 1 | SPOOL | 17-4 PH ST. STL. |
| 13* | 1 | PISTON/ SPOOL SEAL | FLUOROCARBON |
| 14 | 1 | LOCK WASHER | 316 ST. STL. |
| 15 | 1 | HEX NUT | 316 ST. STL. |

PRESSURE SWITCH BASE

ORDERING CODE



REPAIR KIT

- 4D-008-000

OTHER TEMPERATURE RANGES AND SEAL COMPOUNDS AVAILABLE UPON REQUEST

PHONE: 504-340-0055
FAX: 504-340-0056
EMAIL: SALES@RUELCO.COM

1209 DISTRIBUTORS ROW
NEW ORLEANS, LA 70123